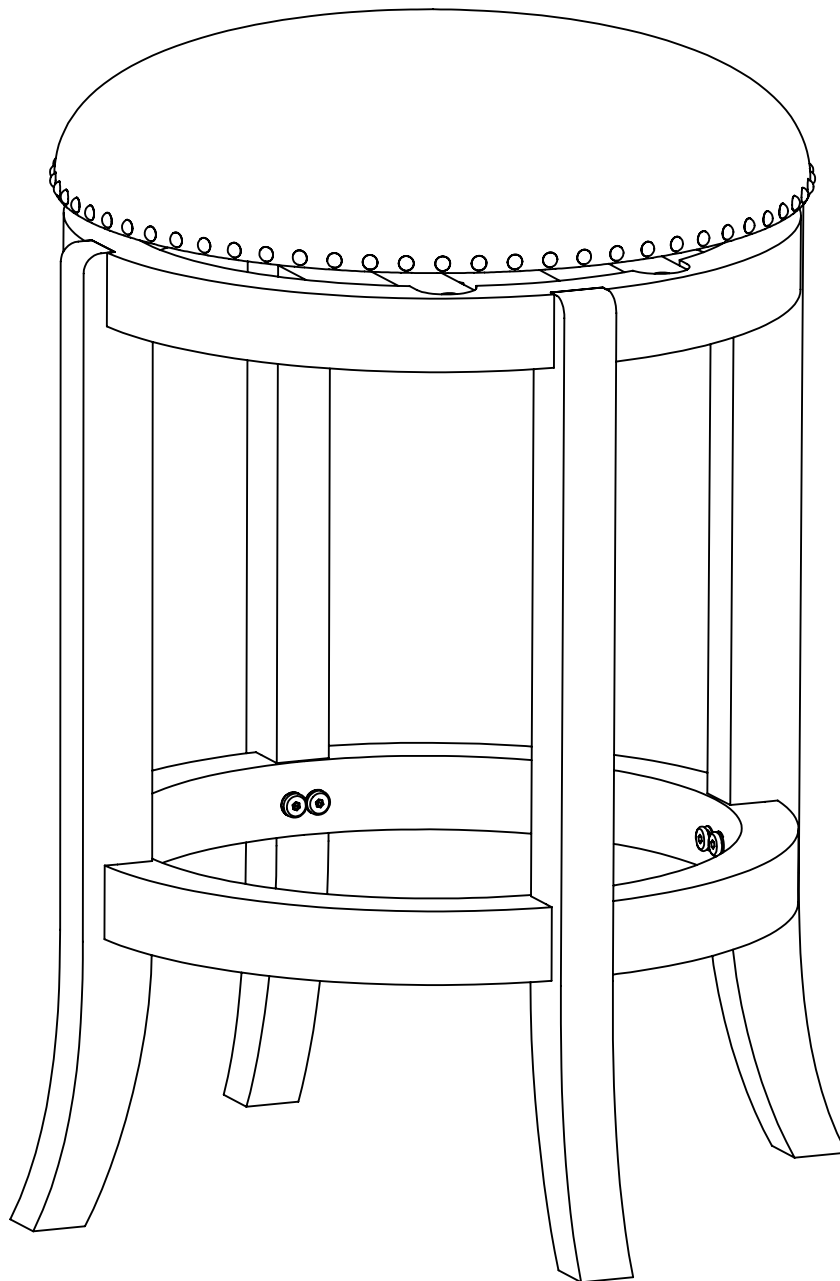




Boraam Industries

CORDOVA SWIVEL STOOL

ASSEMBLY INSTRUCTIONS





PLEASE READ ME FIRST



- Have questions about assembling your item?



- Item or parts damaged?



- Missing a part?



- We're here to help!



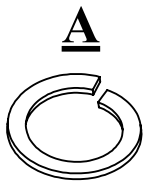
(847)949-6300 (M-F, 9am-5pm CST)



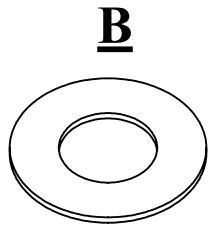
www.boraamindustries.com



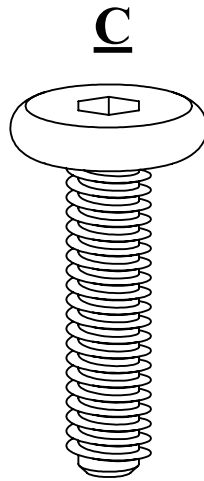
customerservice@boraamindustries.com



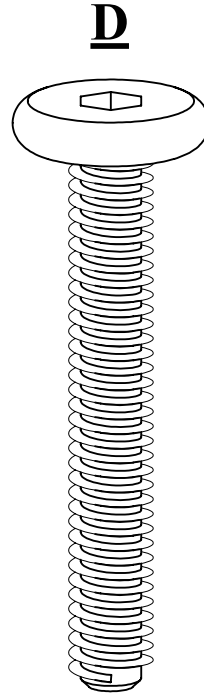
16 PCS



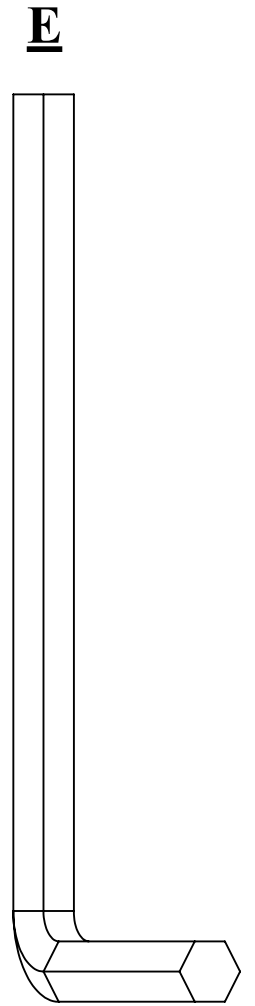
20 PCS



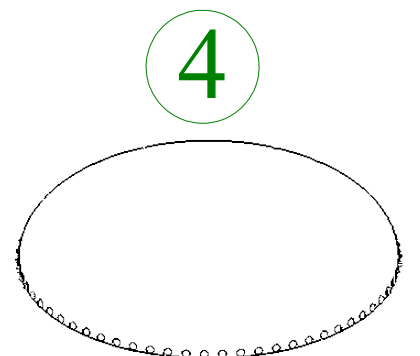
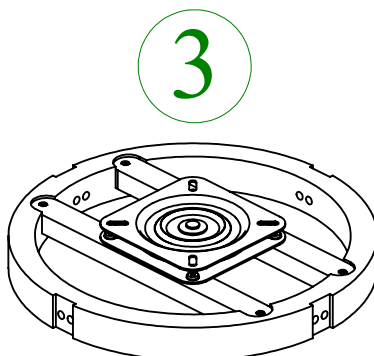
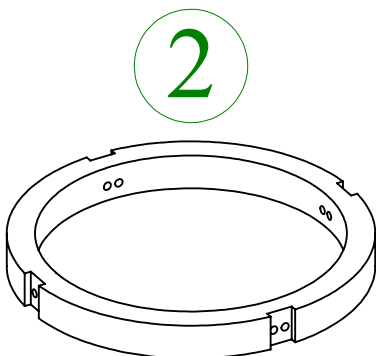
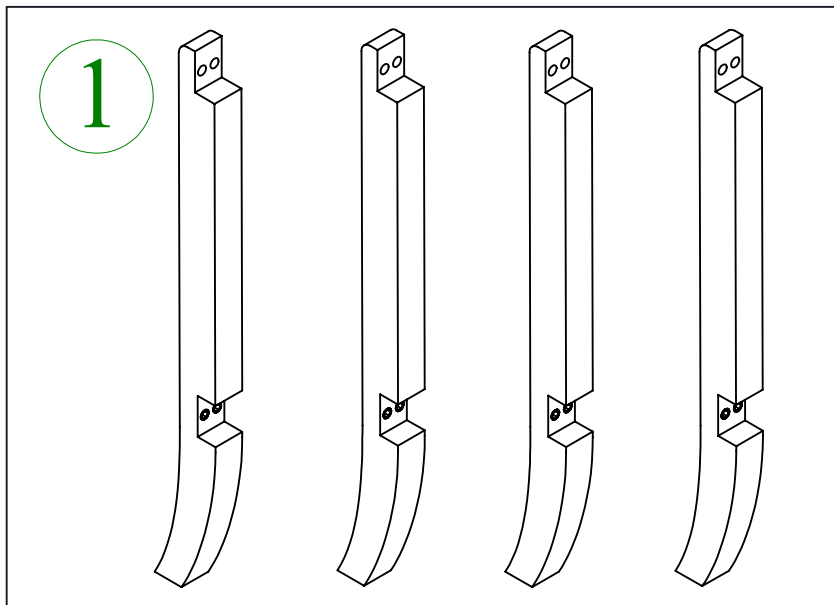
4 PCS



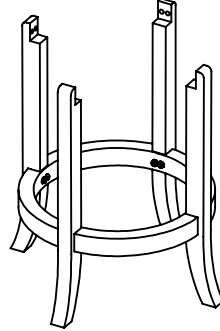
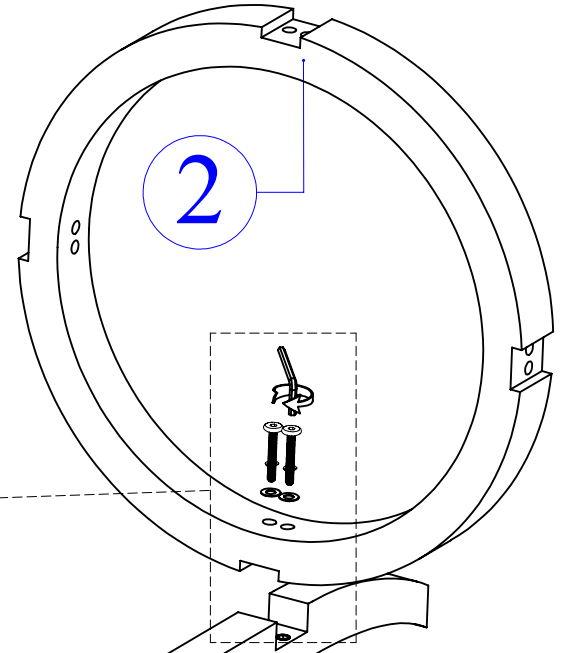
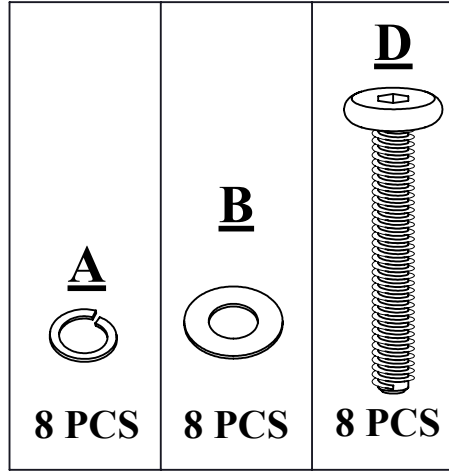
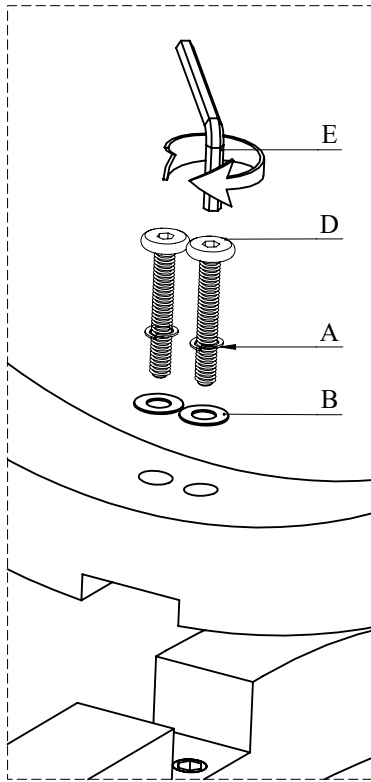
16 PCS



1 PC



01

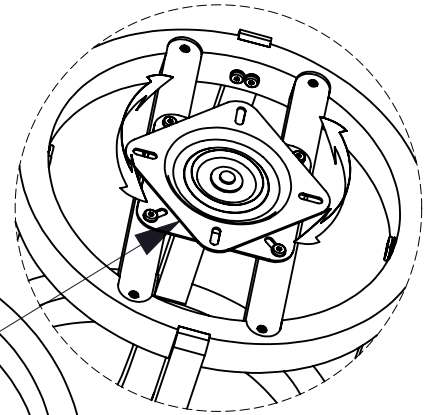
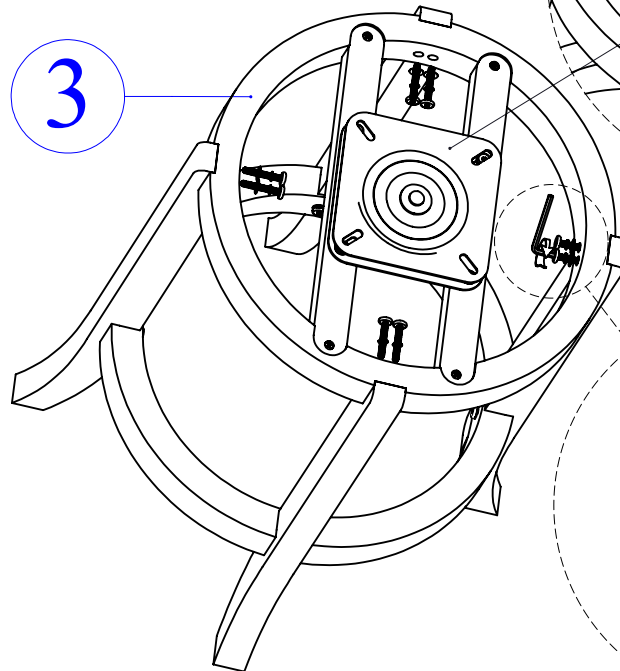
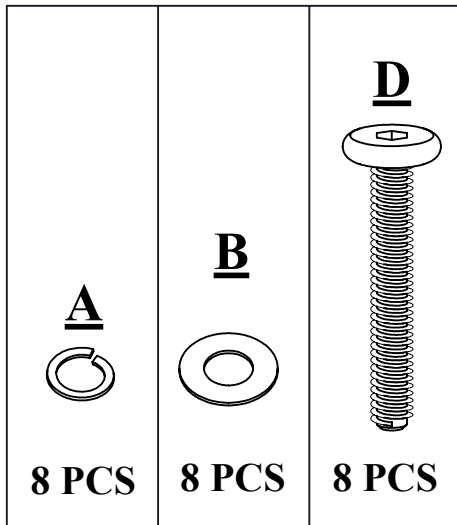


4X

1

DO NOT TIGHTEN BOLT COMPLETELY.

02



3

E

D

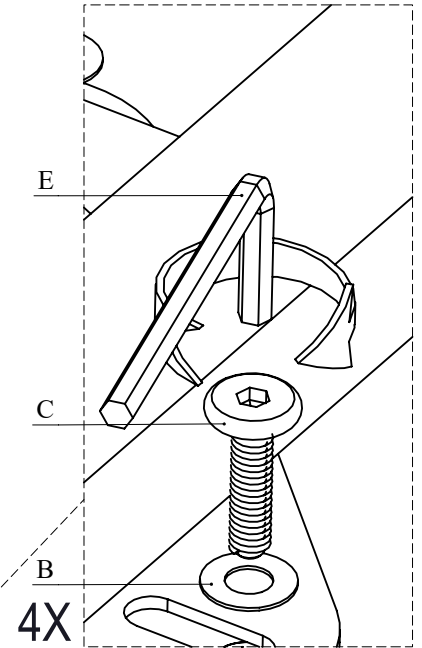
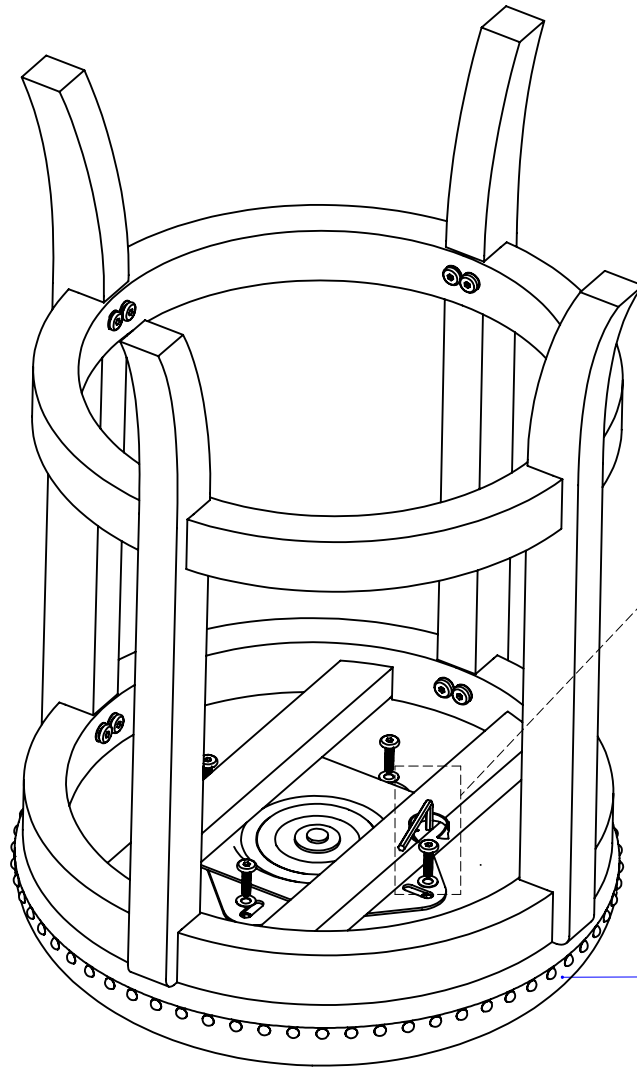
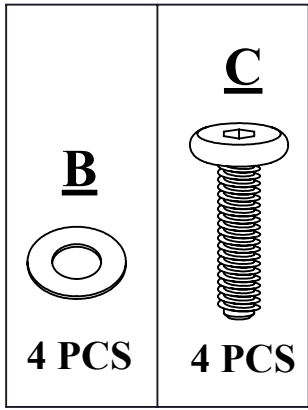
A

B

4X

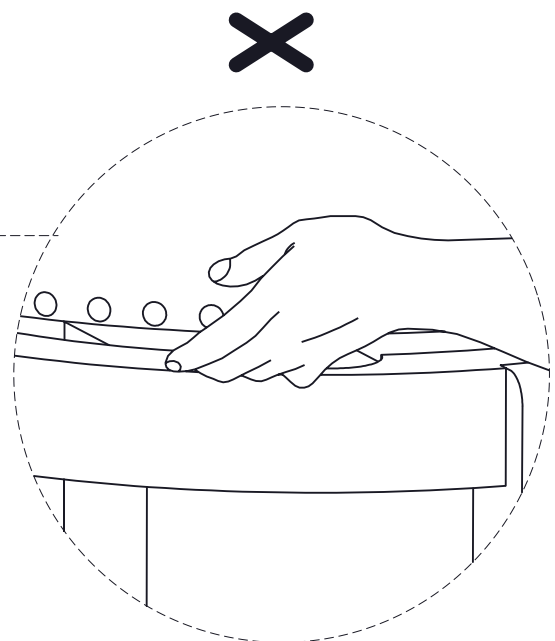
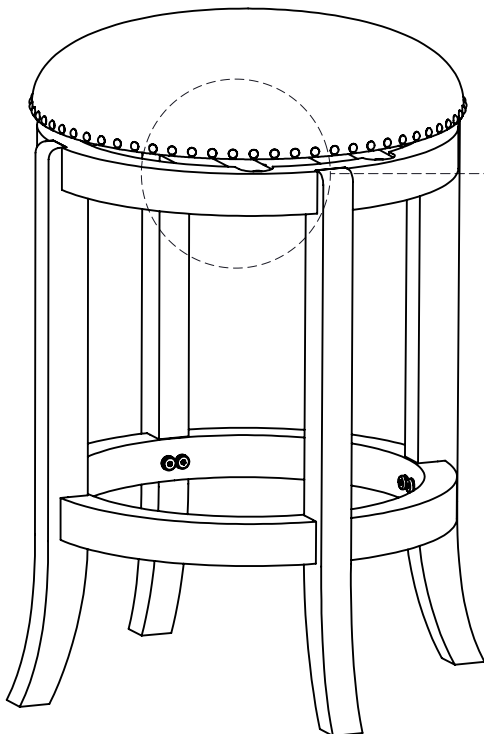
TIGHTEN BOLT COMPLETELY.

03



4

TIGHTEN BOLT COMPLETELY.



BE SURE TO CHECK ALL BOLTS ARE SECURELY TIGHTENED PRIOR USING THIS STOOL.