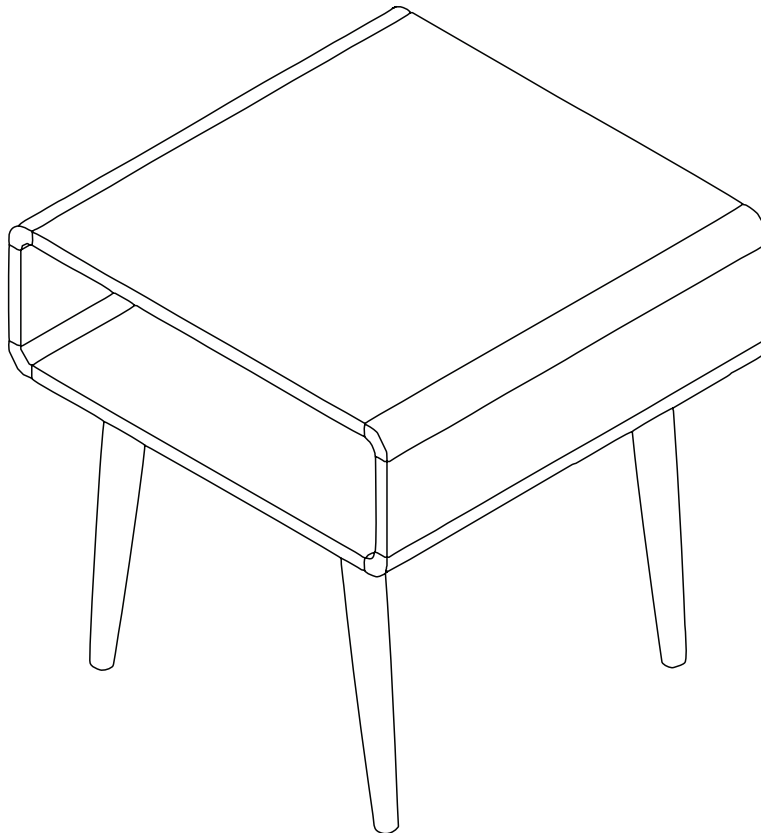




Boraam Industries

ASSEMBLY INSTRUCTIONS

SKU: 33511 | ALBORG END TABLE



Weight Capacity

Version 1 / Updated as of 11-28-23



Have questions about assembling your item?



Items or parts damaged?



Missing a part?

We're here to help! (Monday-Friday from 9am-5pm CST)



847-949-6300
877-267-2261



customerservice@
boraamindustries.com



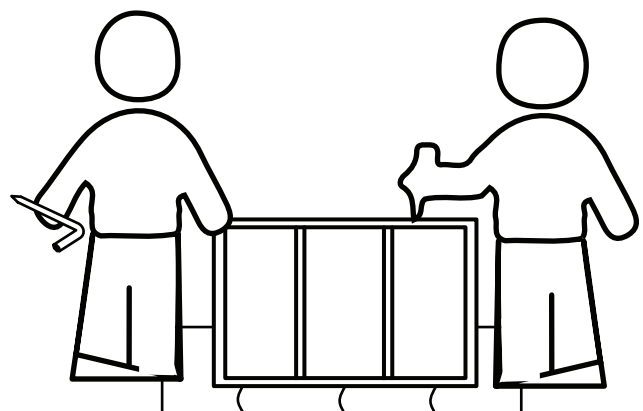
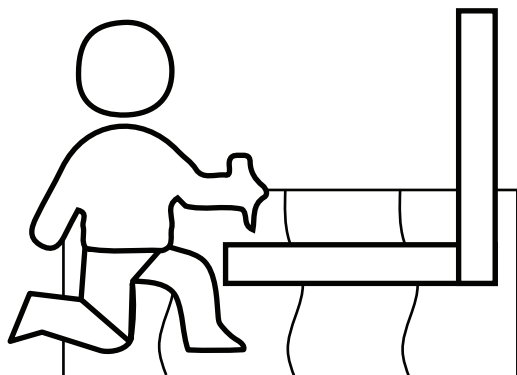
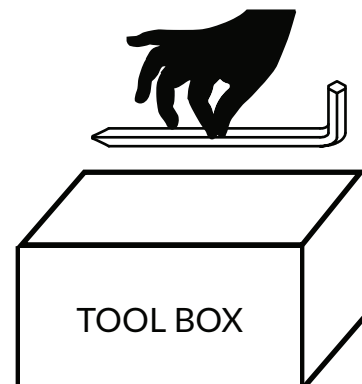
www.boraamindustries.com



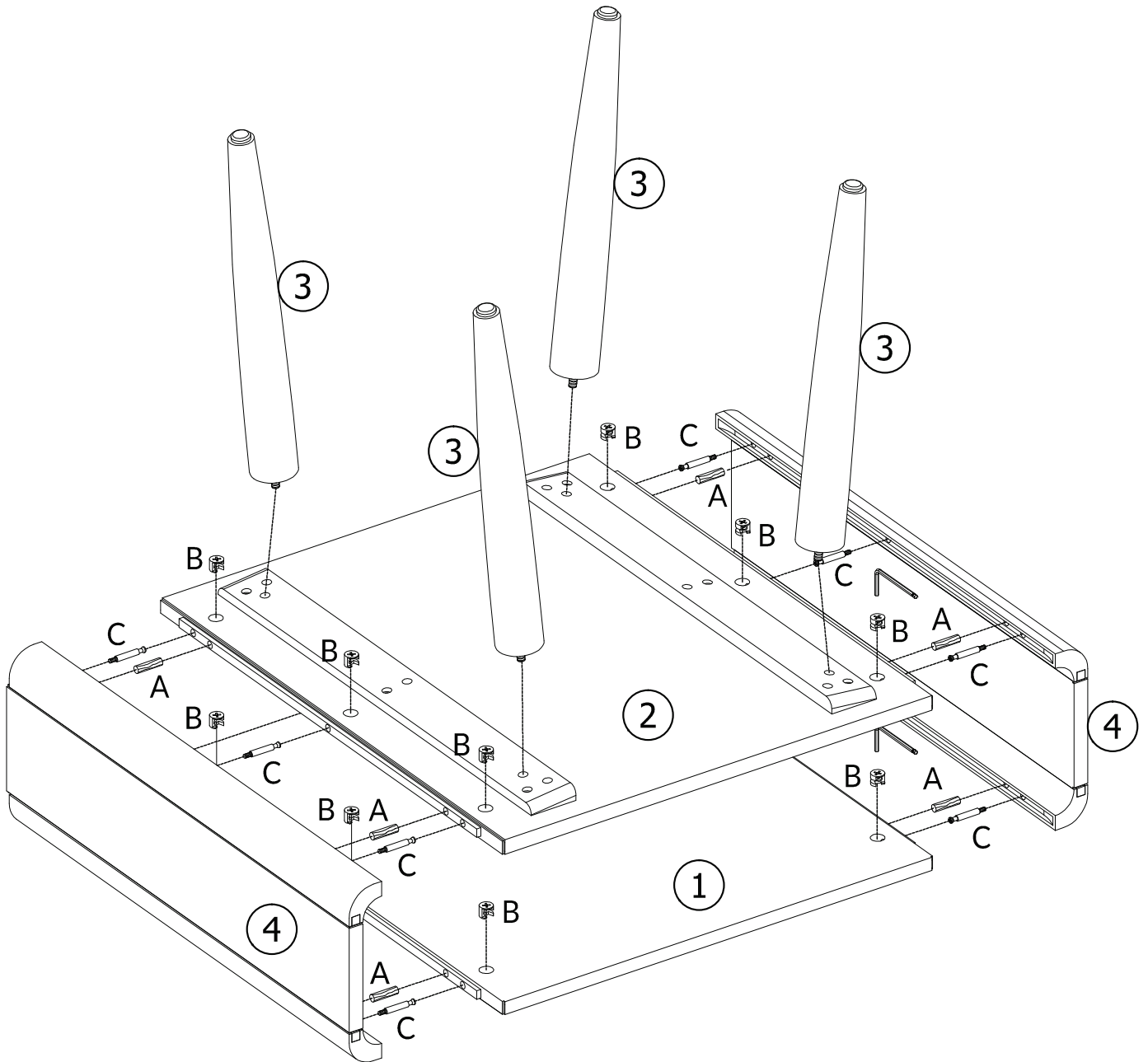
Philips screwdriver
not included.

Assembly And Care

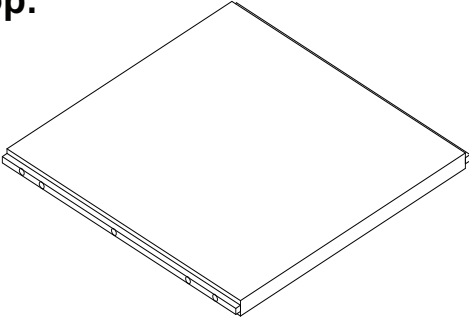
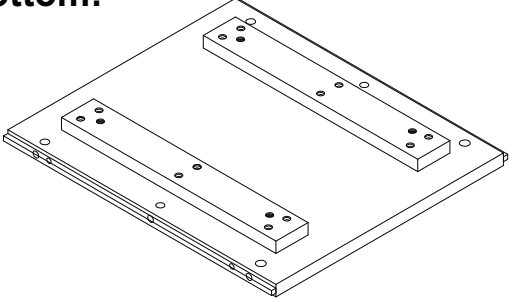

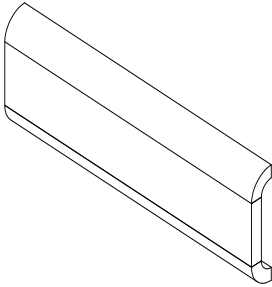
- All tools required for assembly are included unless noted.
- Prior to assembly, check for missing or damaged parts.
- Do not dispose of packaging materials until assembly is completed.
- Assemble item on a soft, clean surface to prevent damage to the item.




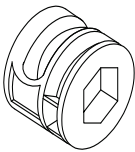
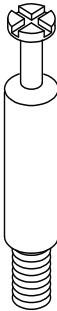

Assembly Overview



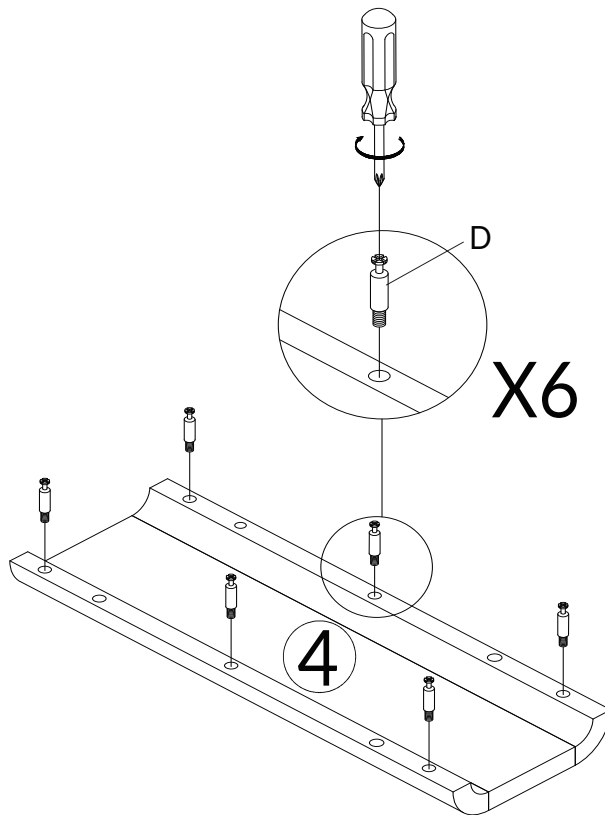
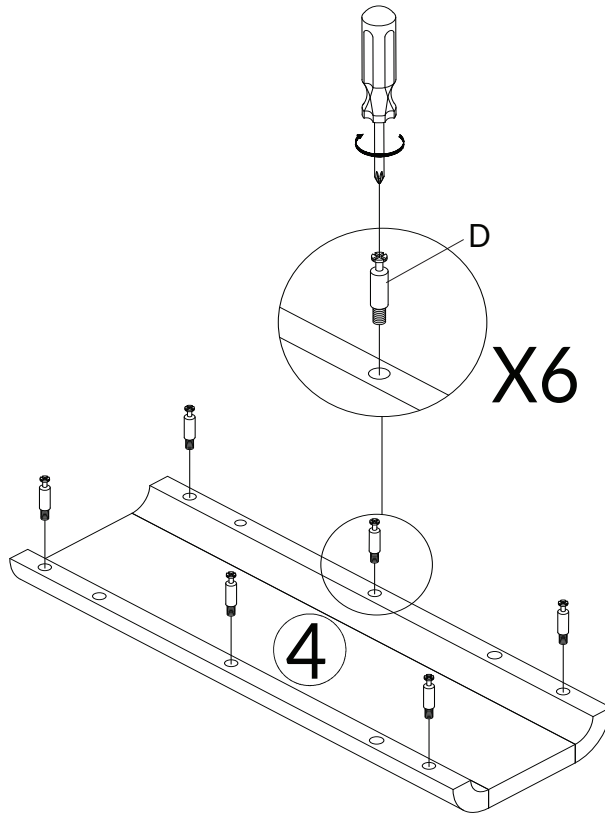
PARTS

<p>① (x1)</p>	<p>② (x1)</p>
<p>Top:</p> 	<p>Bottom:</p> 
<p>③ (x4)</p>	<p>④ (x2)</p>
<p>Legs:</p> 	<p>Sides:</p> 

HARDWARE

<p>Ⓐ (x8)</p>	<p>Ⓑ (x12)</p>	<p>Ⓒ (x12)</p>	<p>Ⓓ (x1)</p>
			
<p>Dowel Ø8x30</p>	<p>Head Camlock Ø15x12</p>	<p>Pipe Camlock Ø6x35</p>	<p>Allen Key M4x110</p>

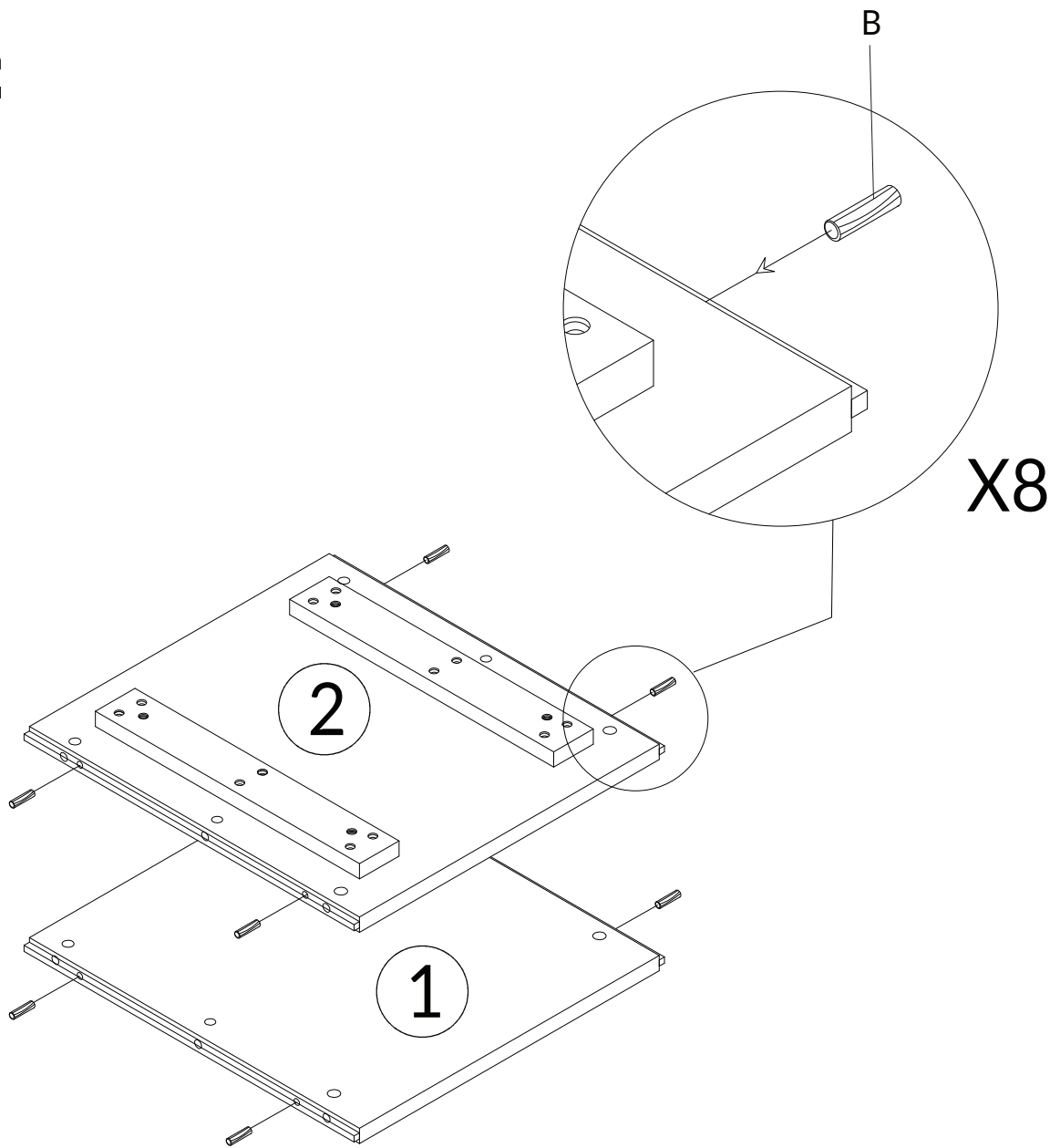
01



Hardware	Count
D	12

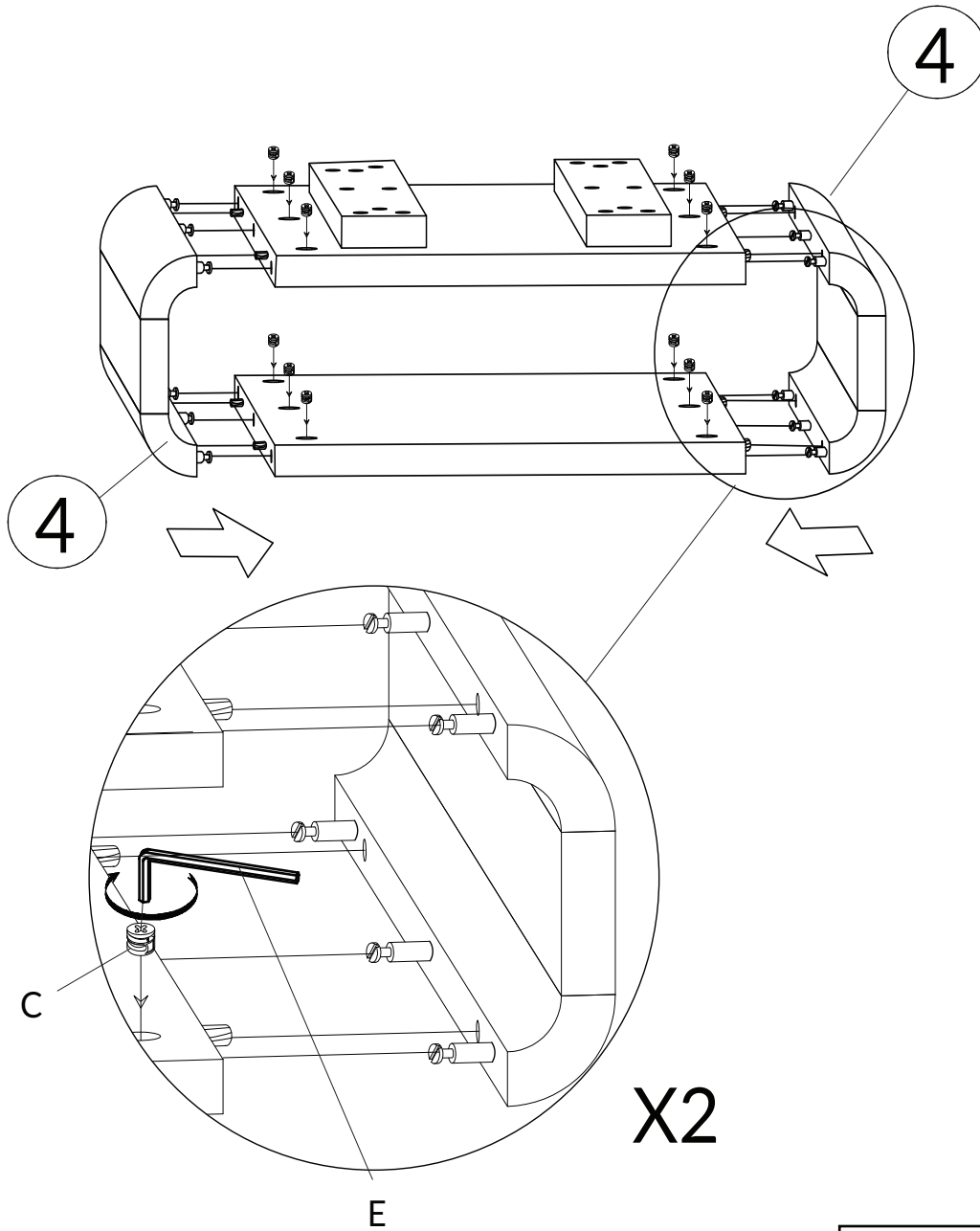
TIGHTEN PIPE CAMLOCK COMPLETELY.

02



Hardware	Count
B	8

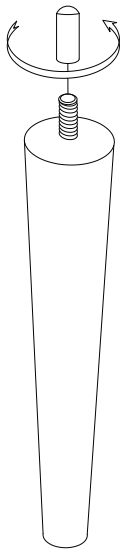
03



Hardware	Count
C	12
E	1

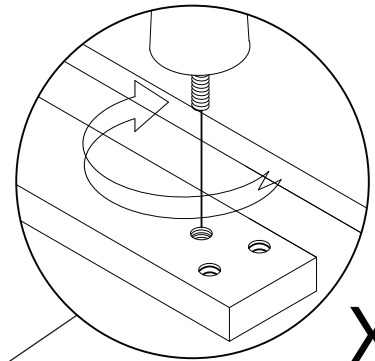
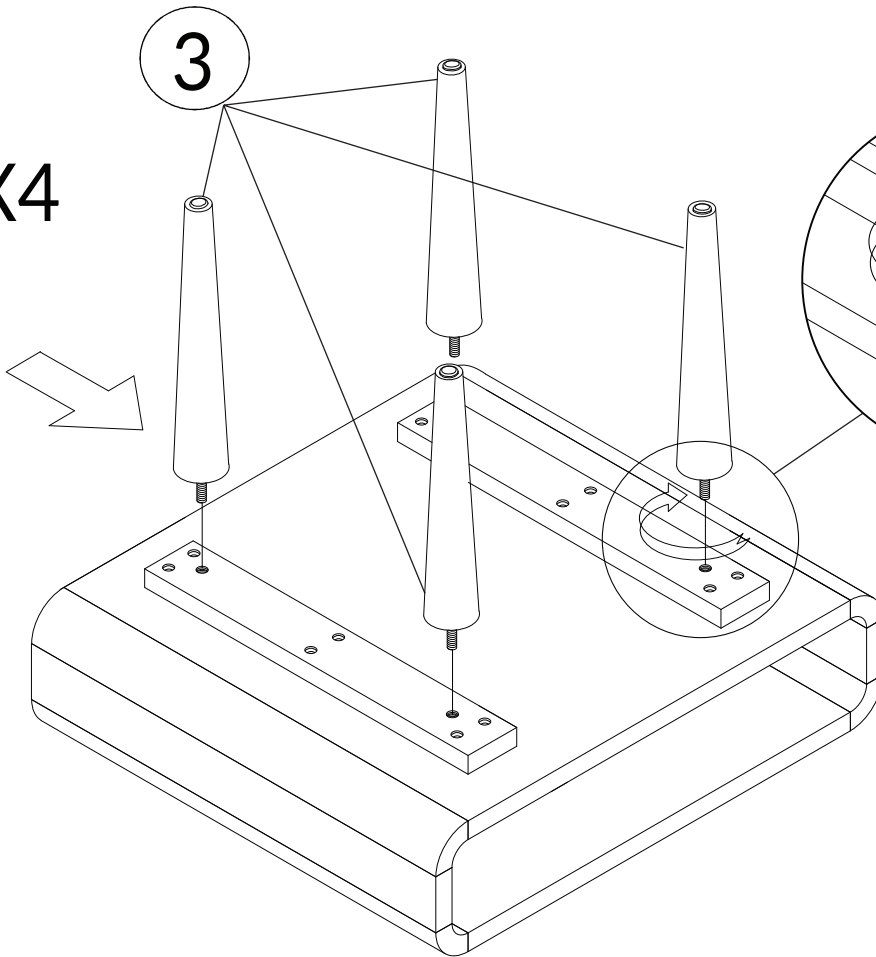
TIGHTEN HEAD CAMLOCK COMPLETELY.

04



Remove protective cap from part 3 before proceeding.

X4

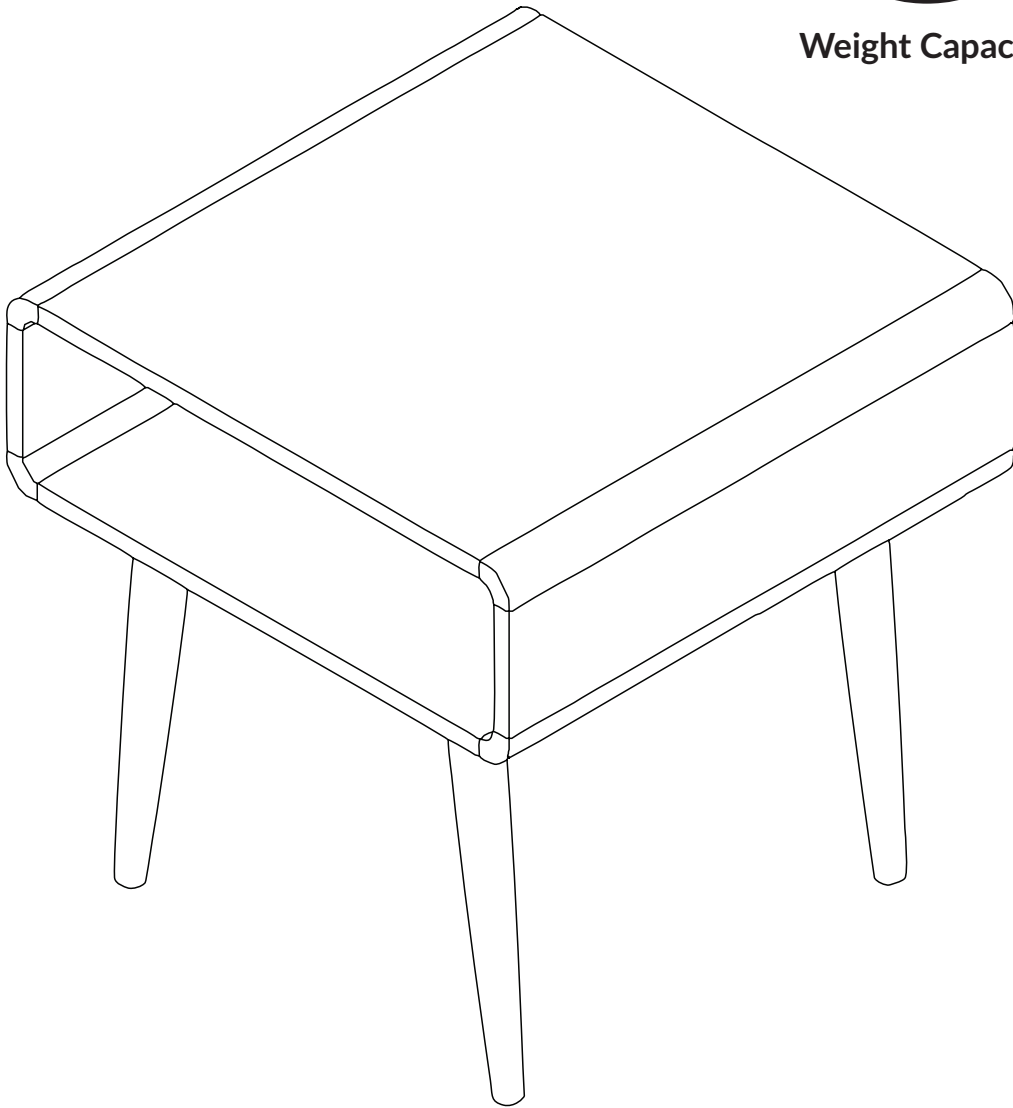


X4

TWIST THE LEGS UNTIL COMPLETELY.



Weight Capacity



BE SURE TO CHECK ALL BOLTS ARE SECURELY TIGHTENED PRIOR TO USE.

847-949-6300 | 877-267-2261 | customerservice@boraamindustries.com