

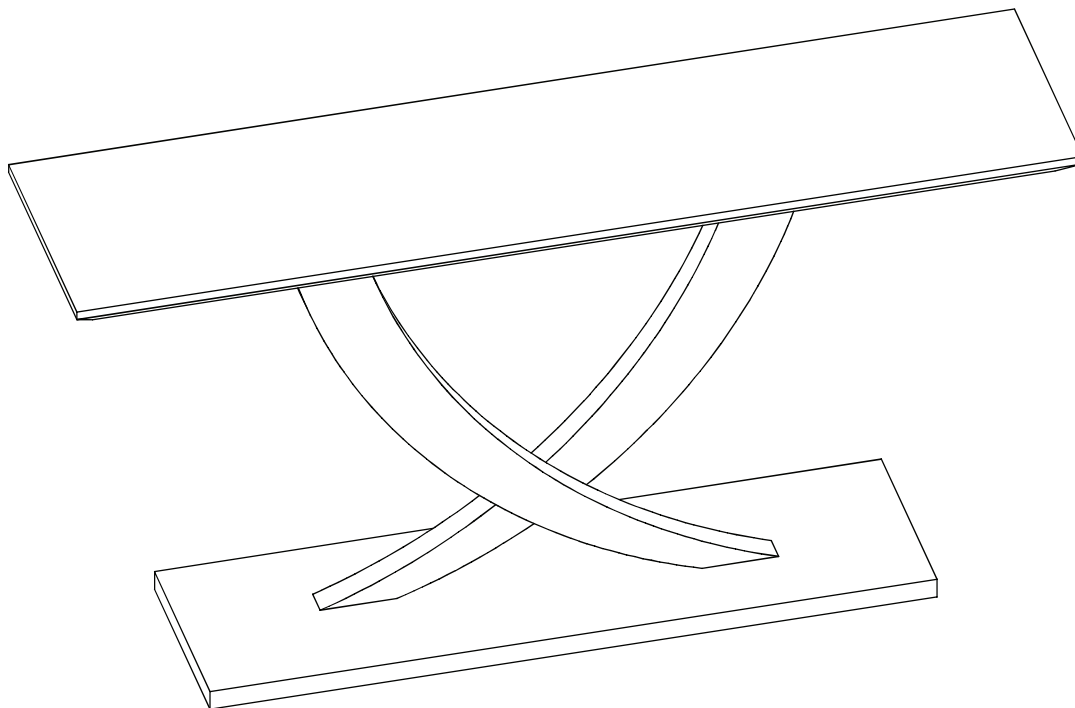


Boraam Industries

ASSEMBLY INSTRUCTIONS

SKU: 77320,77322,77323,77325,77326

RASMUS CONSOLE TABLE



Have questions about assembling your item?



Items or parts damaged?



Missing a part?

We're here to help! (Monday-Friday from 9am-5pm CST)



847-949-6300
877-267-2261



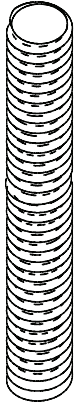
customerservice@
boraamindustries.com



www.boraamindustries.com

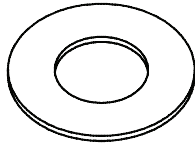
E

A



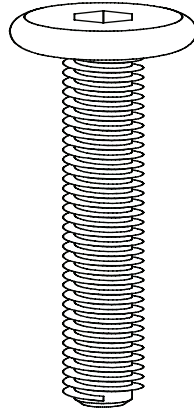
Threaded rod
M6*40
1 PC

B



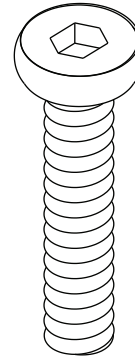
Plastic Washer
1 PC

C

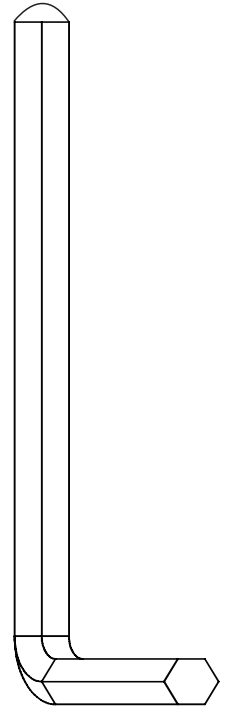


M8*40
4 PCS

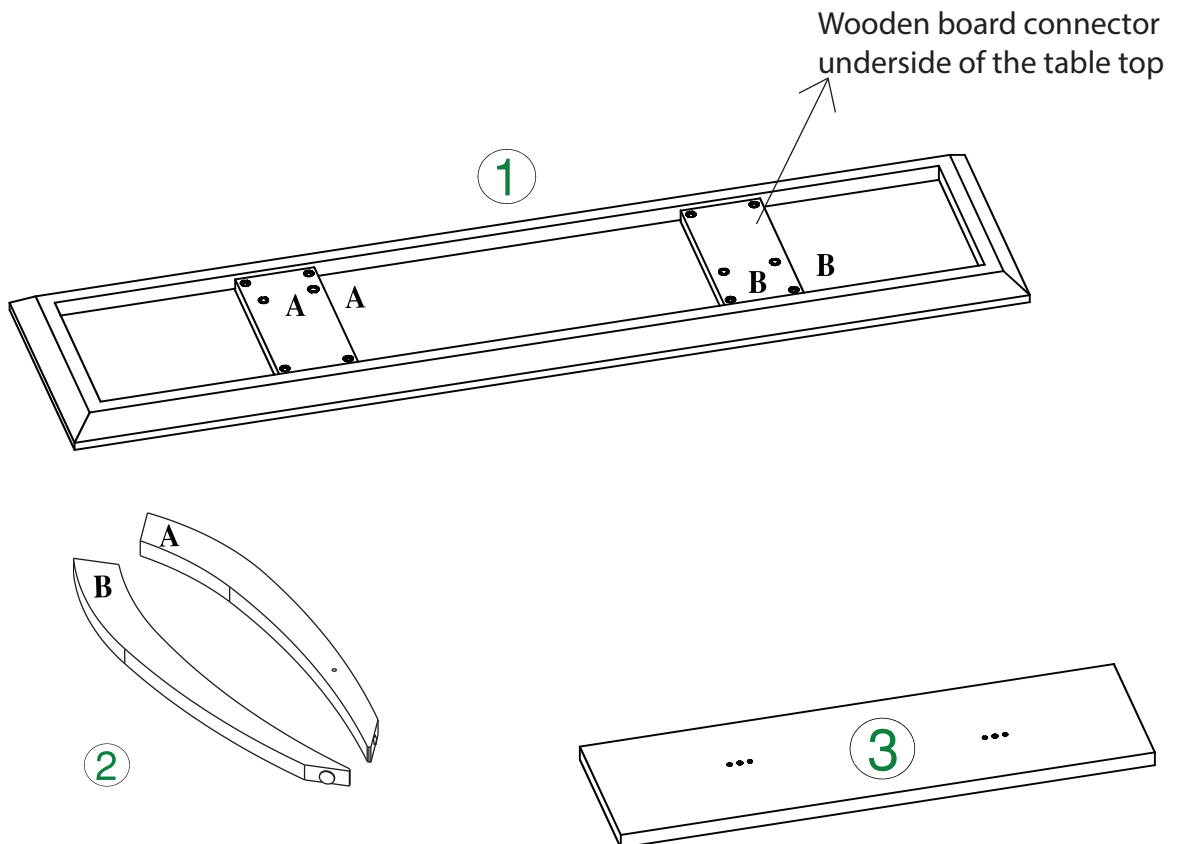
D



M6*35
4 PCS

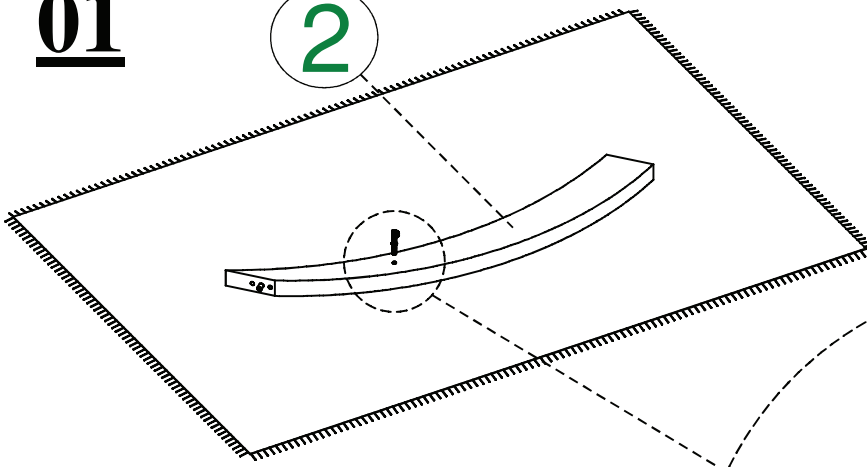


1 PC



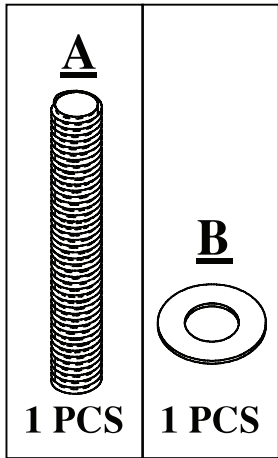
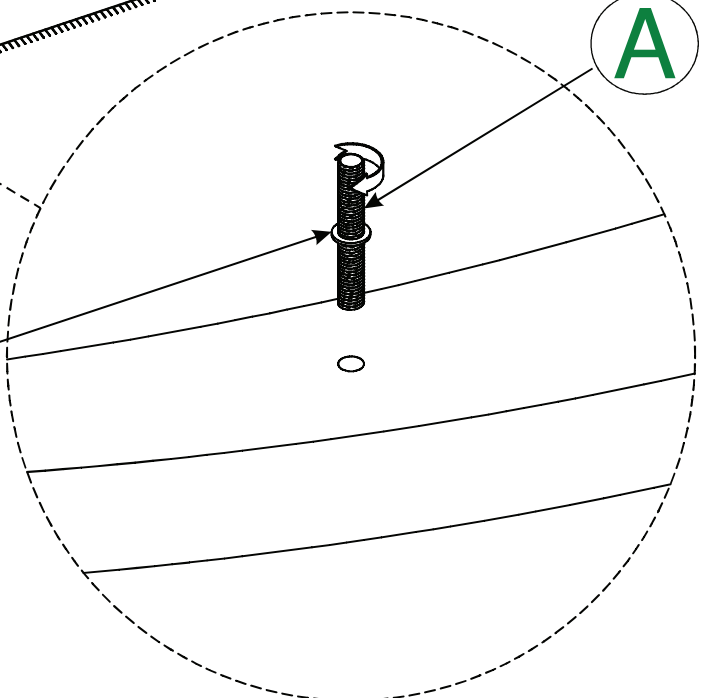
01

2



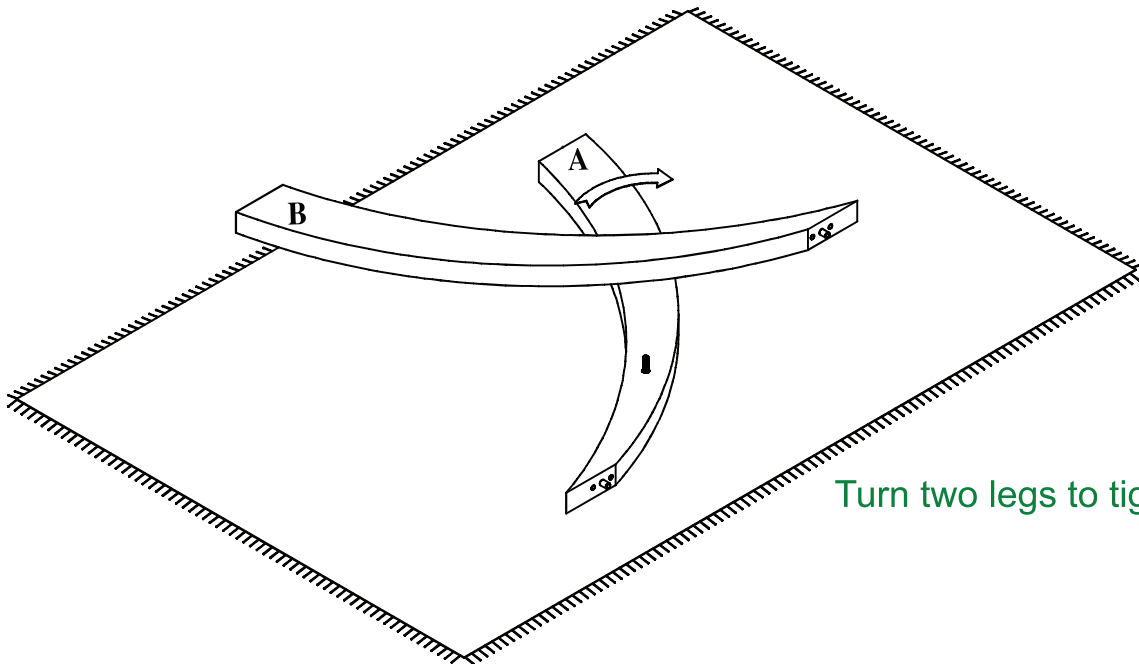
B

A



TIGHTEN BOLT COMPLETELY.

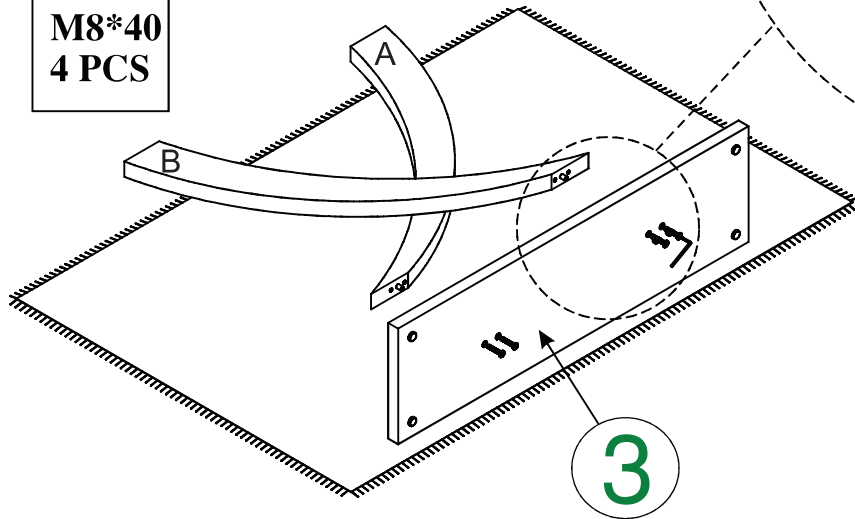
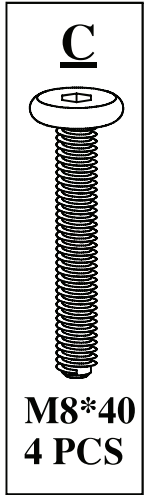
02



Turn two legs to tighten

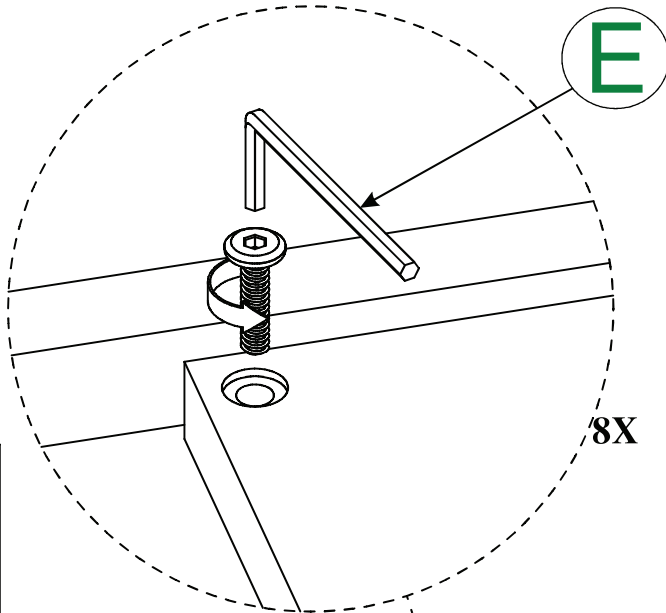
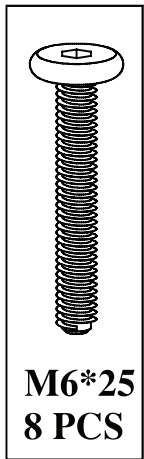
TIGHTEN BOLT COMPLETELY.

03

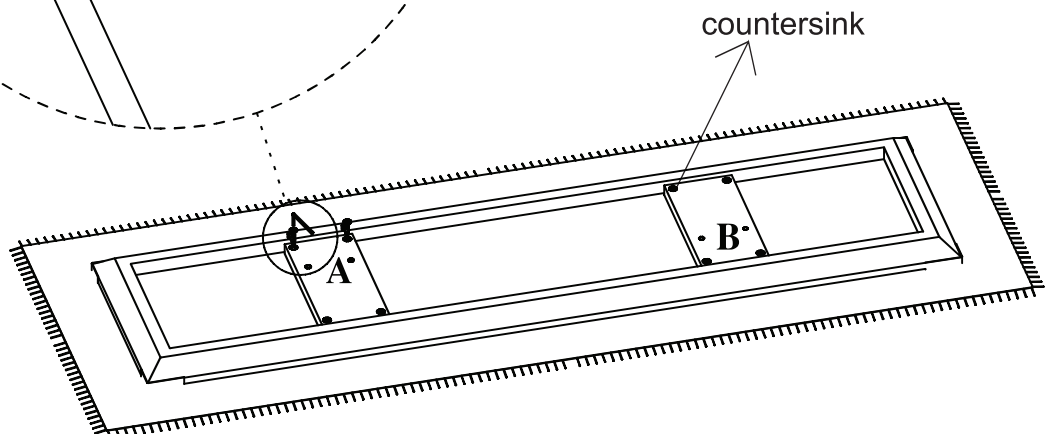


TIGHTEN BOLT COMPLETELY.

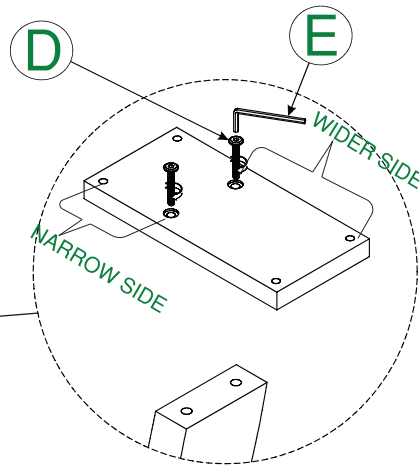
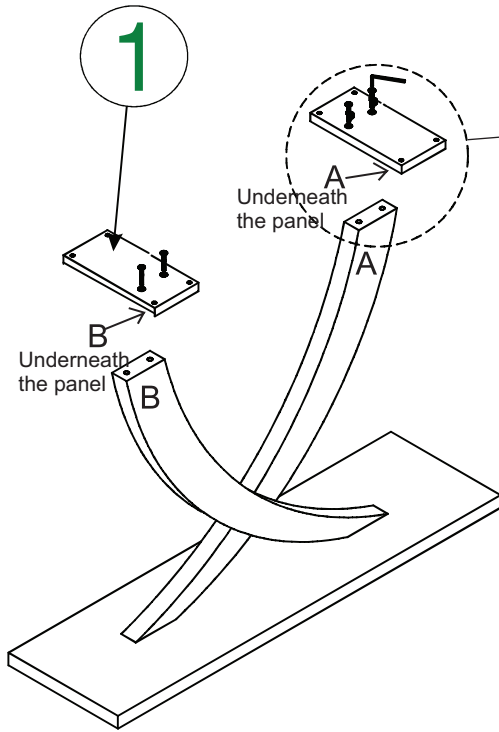
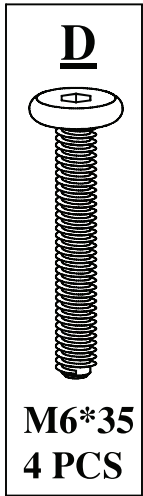
04



Remove wooden board connector from table top with Allen key provided. Please keep the hardware for step 06.



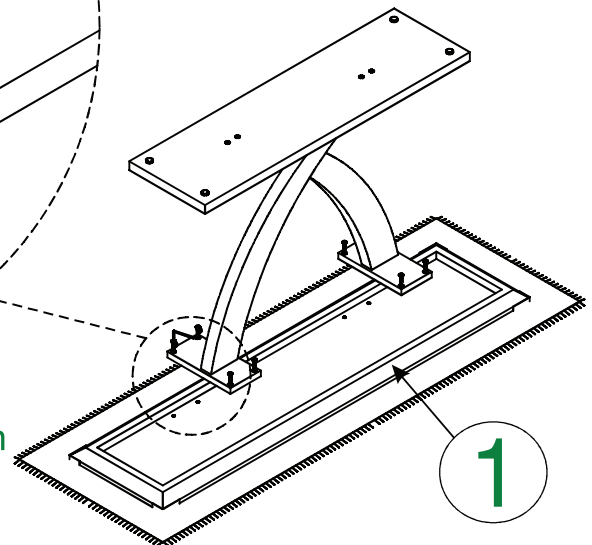
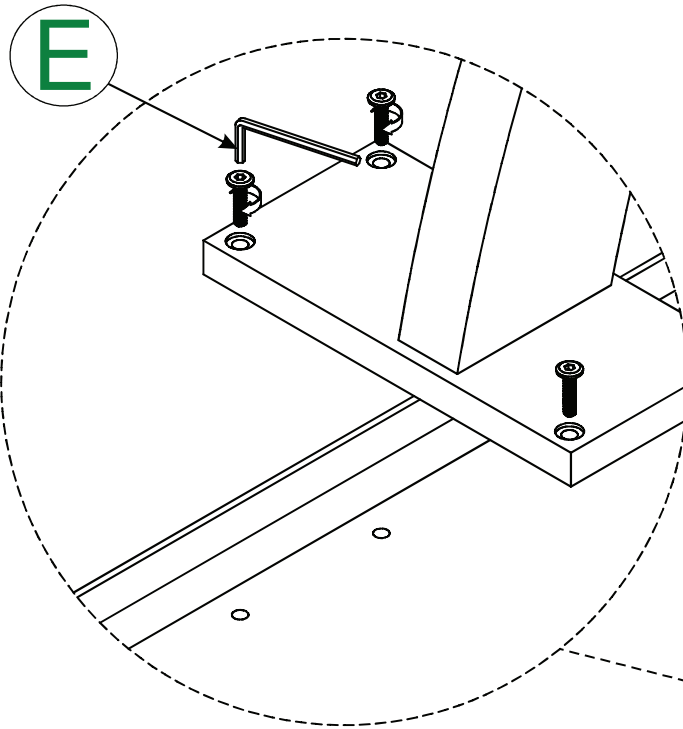
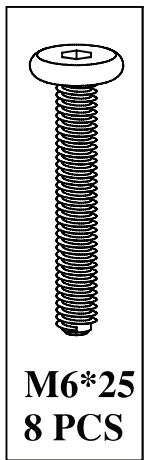
05



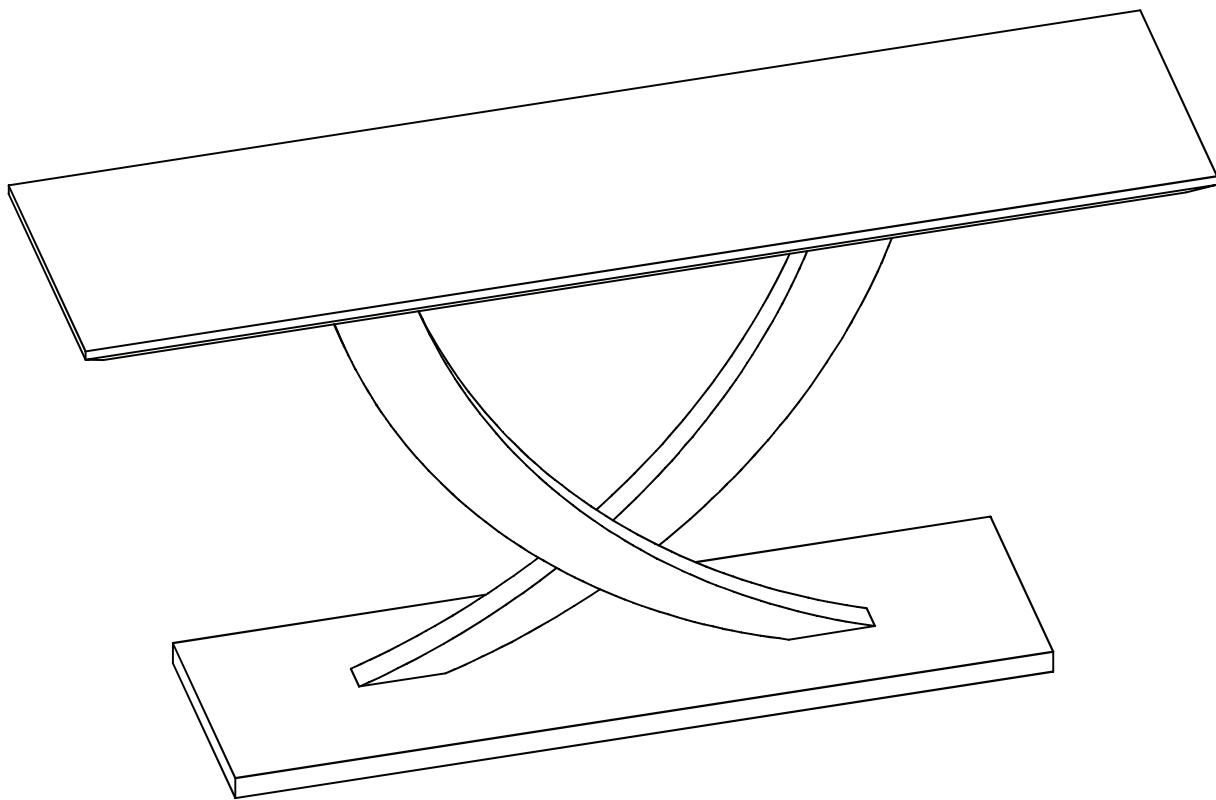
Align wooden board connector to match A - A, B - B

TIGHTEN BOLT COMPLETELY.

06



-Align all bolts with the bolt holes and turn by finger 2 turns.
-Once All bolts alignment is confirmed, tighten securely using provided allen key.



Warning:

Serious injuries can occur from the Console table tip-over

BE SURE TO CHECK ALL BOLTS ARE SECURELY
TIGHTENED PRIOR USING THIS TABLE.